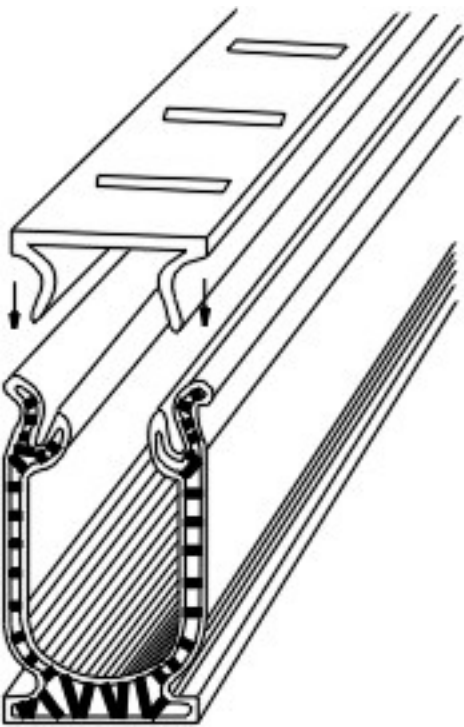
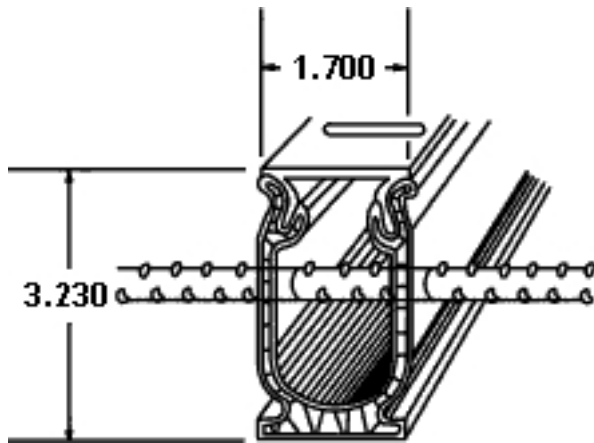


The Frontier Deck Drain is a removable top drain that features a double wall base and a snap in top. W





Part # **Frontier Deck Drain**

[SDDW](#) White

[SDDG](#) Grey

[SDDT](#) Tan

[SDDB](#) Black

[SDDM](#) Marble

Carton Includes:

8 Bases (10' Lengths)

8 Top Caps (10' Lengths)

4 End Adapters

8 Couplers

Part # **Top Cap Only**

[SDD-TCW-80](#) White (8 pieces per carton, 10' lengths)

[SDD-TCG-80](#) Grey (8 pieces per carton, 10' lengths)

[SDD-TCT-80](#) Tan (8 pieces per carton, 10' lengths)

[SDD-TCB-80](#) Black (8 pieces per carton, 10' lengths)

[SDD-TCM-80](#) Marble (8 pieces per carton, 10' lengths)

Part # **Base Only**
[BASE](#) Base only (8 pieces per carton, 10' lengths)

Part # **Fittings**

[SDD45W](#) 45 degree angle White (10 per carton)

[SDD45G](#) 45 degree angle Grey (10 per carton)

[SDD45T](#) 45 degree angle Tan (10 per carton)

[SDD45B](#) 45 degree angle Black (10 per carton)

[SDD45M](#) 45 degree angle Marble (10 per carton)

[SDD90W](#) 90 degree angle White (10 per carton)

[SDD90G](#) 90 degree angle Grey (10 per carton)

[SDD90T](#) 90 degree angle Tan (10 per carton)

[SDD90B](#) 90 degree angle Black (10 per carton)

[SDD90M](#) 90 degree angle Marble (10 per carton)

[SDD-DA](#) Down Adapter (4 per carton)

[SDD-SA](#) Side Adapter (4 per carton)

[SDD-TW](#) Tee (4 per carton)

[SDD-XW](#) Cross (2 per carton)

[DCUP](#) Coupler (12 per carton)

[DEA](#) End Adapter (4 per carton)

[DEP](#) End Plug (10 per carton)

